

ARCHITECTURAL GRAPHIC STANDARDS

*for Architects, Engineers, Decorators,
Builders, and Draftsmen*

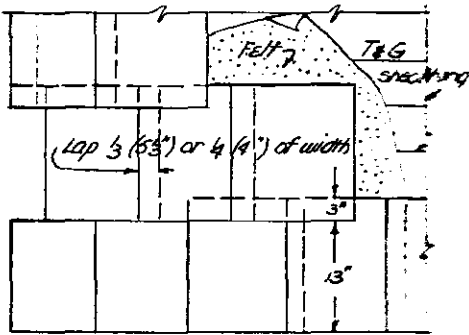
CHARLES GEORGE RAMSEY, A.I.A.
HAROLD REEVE SLEEPER, F.A.I.A.

FOURTH EDITION

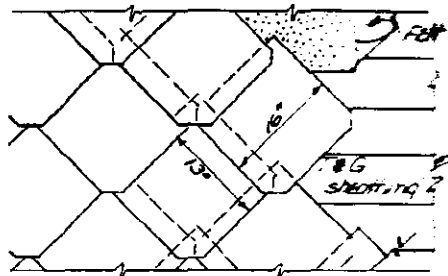


JOHN WILEY & SONS, INC. · NEW YORK
CHAPMAN & HALL, LIMITED · LONDON

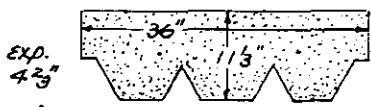
ASBESTOS CEMENT ROOFING and SIDING



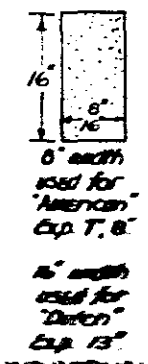
This method requires less material than American, but is not as waterproof as SCOTCH or DUTCH LAP METHOD



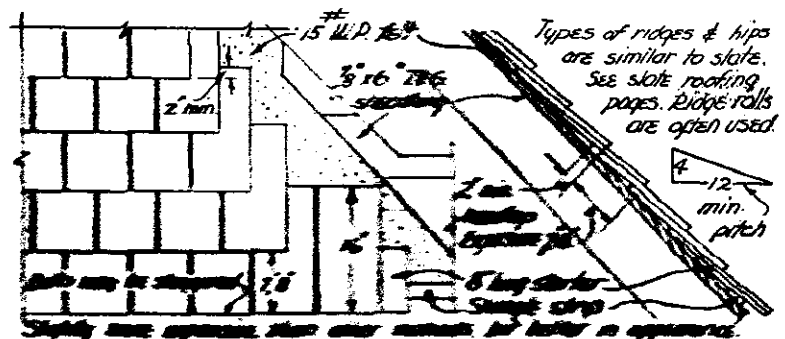
An inexpensive method, but inferior to Am. FRENCH or HEXAGONAL METHOD



HEXAGONAL STRIP SHINGLE



INDIVIDUAL SHINGLE



AMERICAN METHOD (Individual shingle)



EXPOSURE 13" x 13". FRENCH or HEXAGONAL INDIVIDUAL SHINGLE



John-Manville



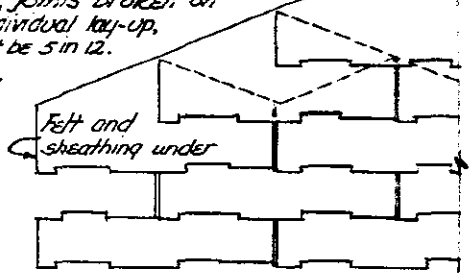
Keasbey & Mattison



Philip Carey

Size, design & lay-up varies with manufacturers as follows: J.M.: 14" x 30", exp. 6". K&M: 15 3/8" x 24", exp. 6 3/8". Carey: 15 1/8" x 24", exp. 6 3/8", joints broken on thirds. Gives effect of individual lay-up, but minimum pitch must be 5 in 12.

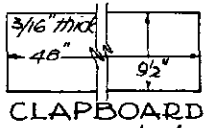
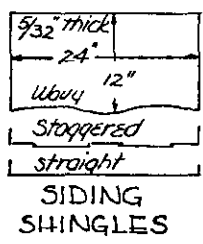
AMERICAN COLONIAL STRIP SHINGLE



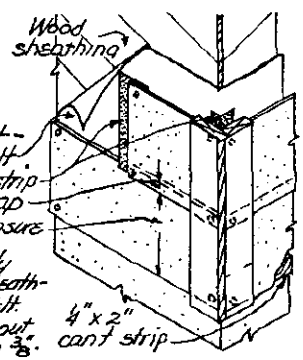
AMERICAN COLONIAL METHOD

All shingles have uniform thickness of 3/32. Use 1 1/4 galv. or aluminum needlepoint nails. Pitch: American method, individual; 4 in 12. For all other shingles and methods; min. pitch = 5 in 12.

ASBESTOS-CEMENT ROOFING SHINGLES



CLAPBOARD



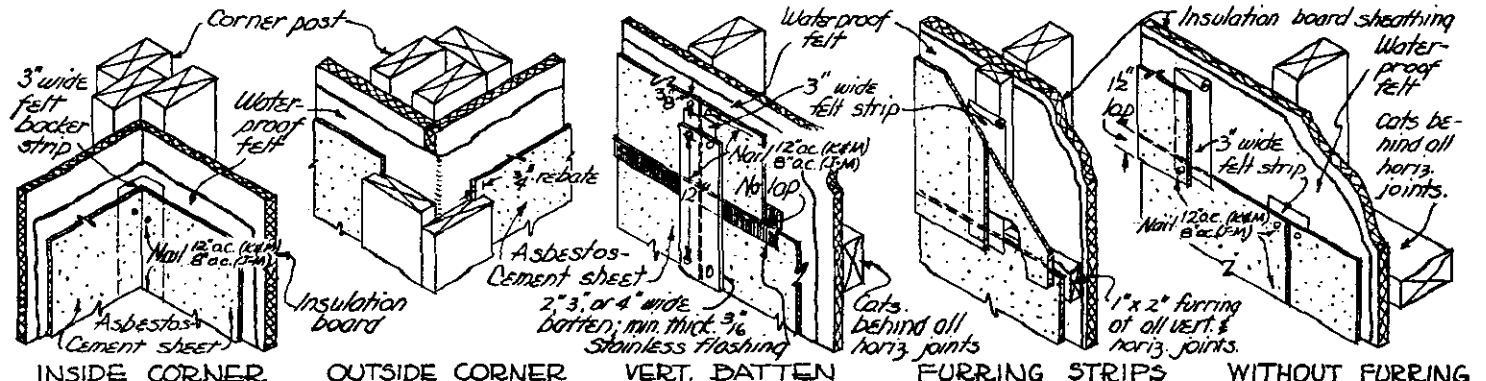
On wood sheathing, cover with felt & apply shingles. On insulation board or gypsum sheathing, apply furring strips 10 1/2" o.c. over felt. USE 1 1/4" galv. nails, or use E-3" nail without furring. Shingles to overhang foundation 3/8".

ASBESTOS-CEMENT BOARD-SIZES

Water absorption is % by weight of standard board 4' wide, 8' long	Thickness & weight per 1000 square feet				
	1/8"	3/16"	1/4"	3/8"	1/2"
Type I - absorption 25 to 30%. General utility.	1030*	1540*	2060*	3080*	4800*
Type II - absorption 16 to 25%. Rigid high strength.	1115*	1675*	2230*	3350*	4460*
Type III - absorption 20%. Flexible-high strength.	1250*	1750*	2470*	-	-
Other types absorption 20%. Transite; Monosbestos:	-	-	Made up to 4" thick.	2700*	4000*
	1200*	1800*	2400*	3600*	4800*

color: Stone-gray Nails: Galv. or aluminum, min. thickness 1" plus bd. thickness. Nail 8" (M), 12" (M) o.c. on all edges, 16" o.c. on intermed. studs.

ASB-CEMENT SHINGLE SIDING & CLAPBOARD



If wood sheathing is used instead of ins. board, no cats or furring strips required. Flexboard 7/8" may be applied directly to studs 16" o.c. max; 4" to studs 24" o.c. max.

ASBESTOS-CEMENT BOARD - EXTERIOR WALLS

Checked by Keasbey & Mattison Co., Johns-Manville, Philip Carey Mfg. Co., and Asbestone Corporation.

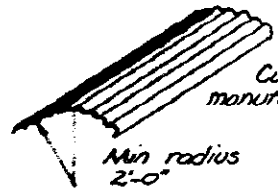
CORRUGATED ASBESTOS ROOFING



Weight per sq ft
 Asbestone 3.75
 Gypsum Corr. 4.09
 J.M. Transit 4.19
 E.M. Century 3.75
 Minimum recommended
 roof pitch - 3 in 12.
STANDARD SHEET

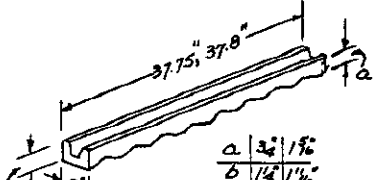
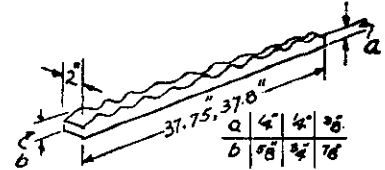


5'-0"
 Min. radius

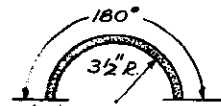


Min radius
 2'-0"

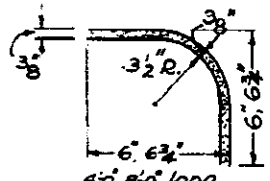
Curved sheets
 manufactured to order.



Also made without groove.

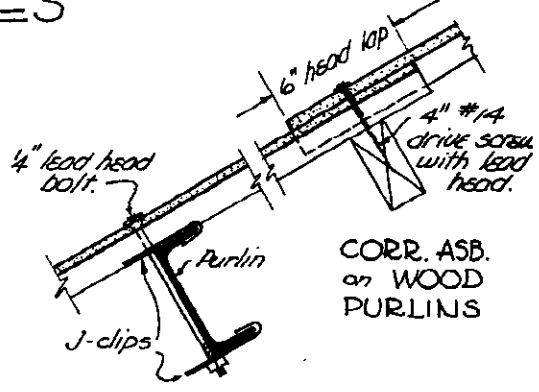
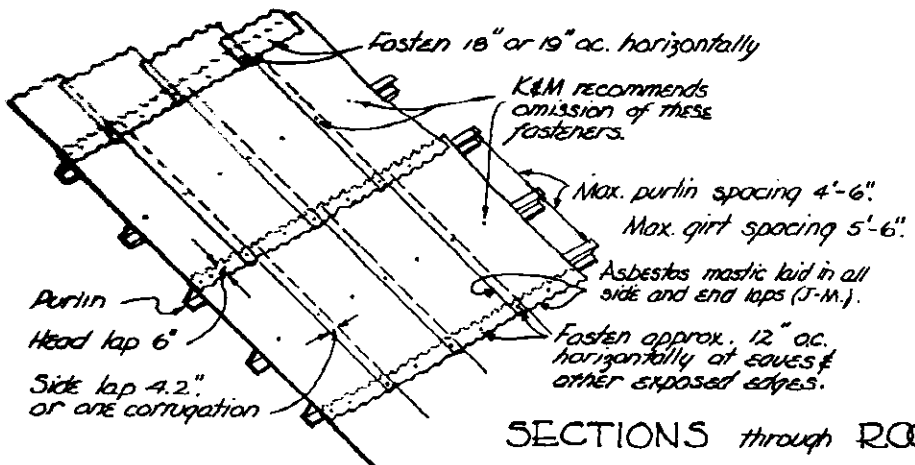


4, 8, & 10' lengths.
 Batters are 6" lg.
RIDGE ROLL



4'-0", 8'-0" long.
 Batters 6" x 6" x 6"

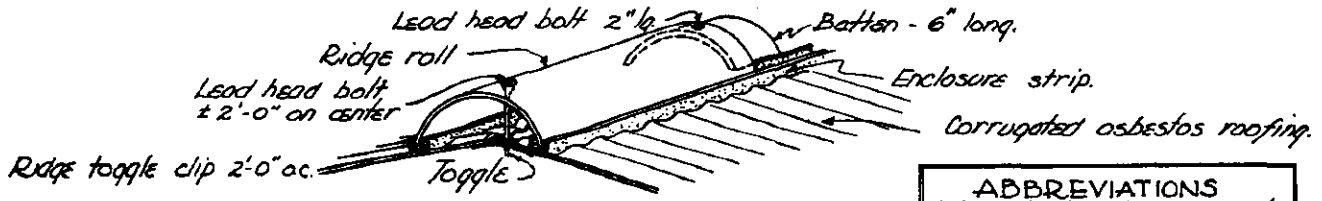
CURVED CORRUGATED SHEETS ENCLOSURE (FILLED) STRIPS CORNER ROLL
STANDARD SHAPES



CORR. ASB. on WOOD PURLINS

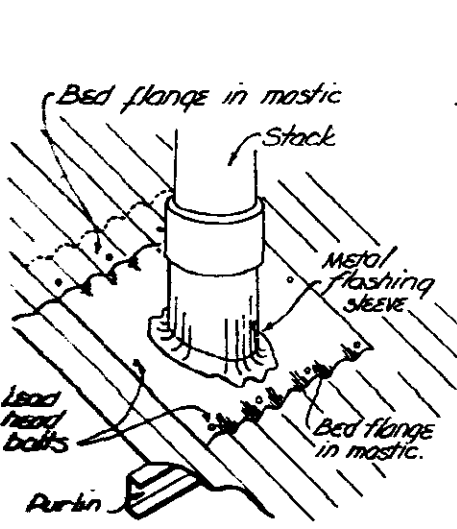
CORR. ASBESTOS on STEEL PURLIN

SECTIONS through ROOF

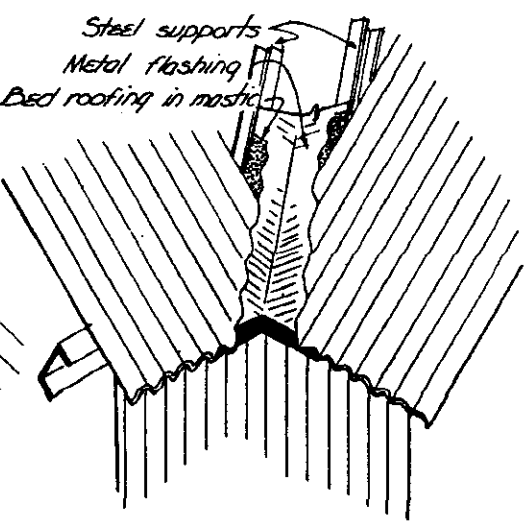


DETAIL of RIDGE

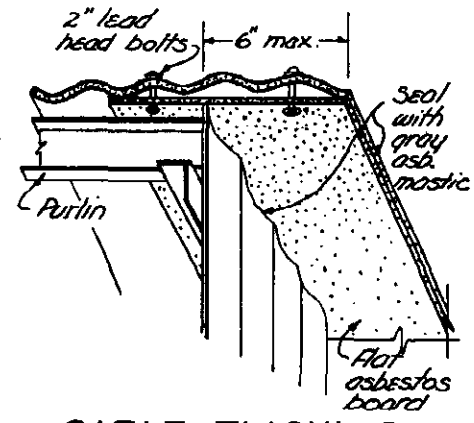
ABBREVIATIONS
 Asb. - asbestos
 Corr. - corrugated
 K&M - Keasbey & Mattison Co.
 J-M - Johns-Manville
 Garsyst. Corr. - Careystone Corrugated



STACK or VENT FLASHING



VALLEY FLASHING

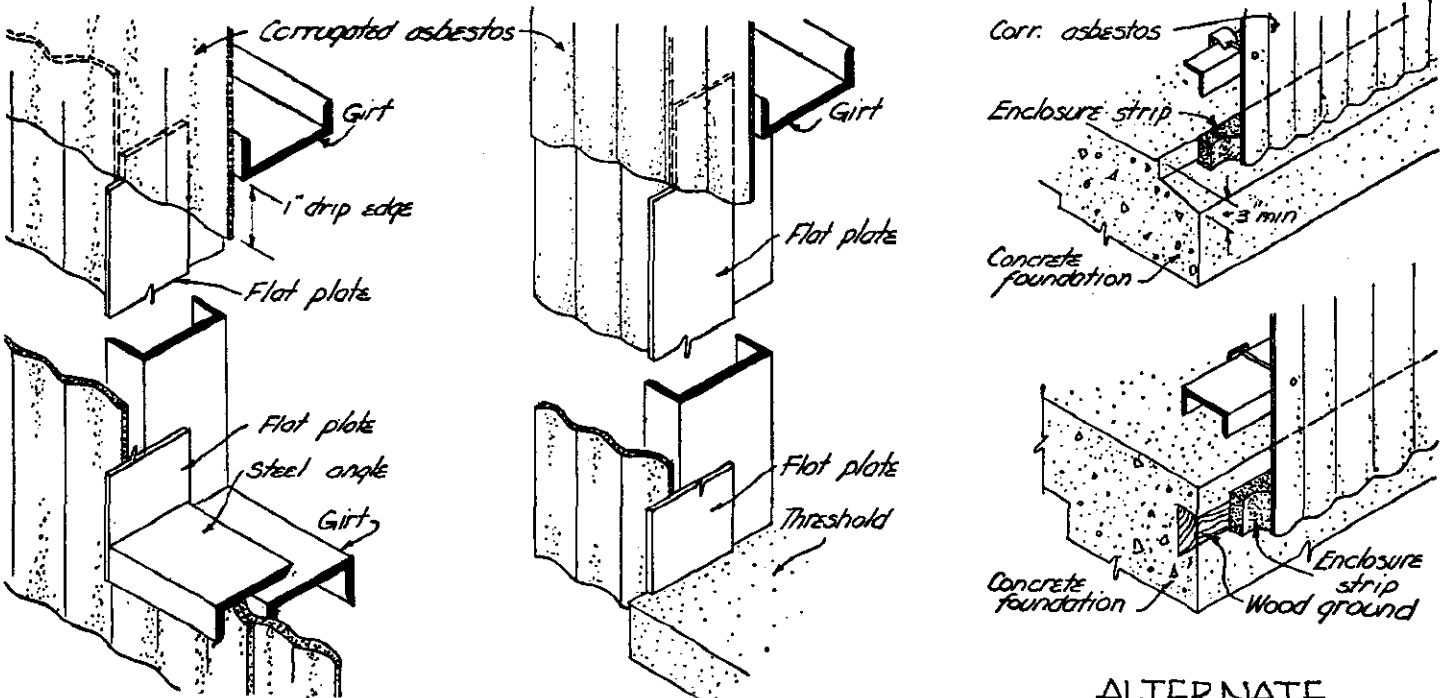
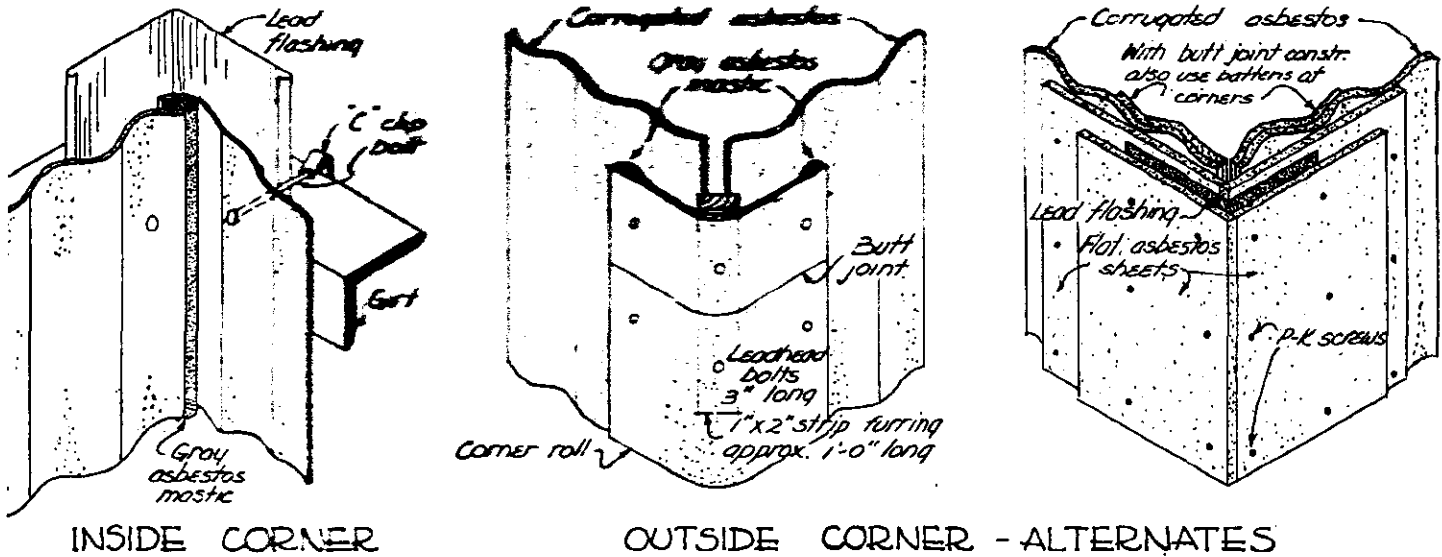
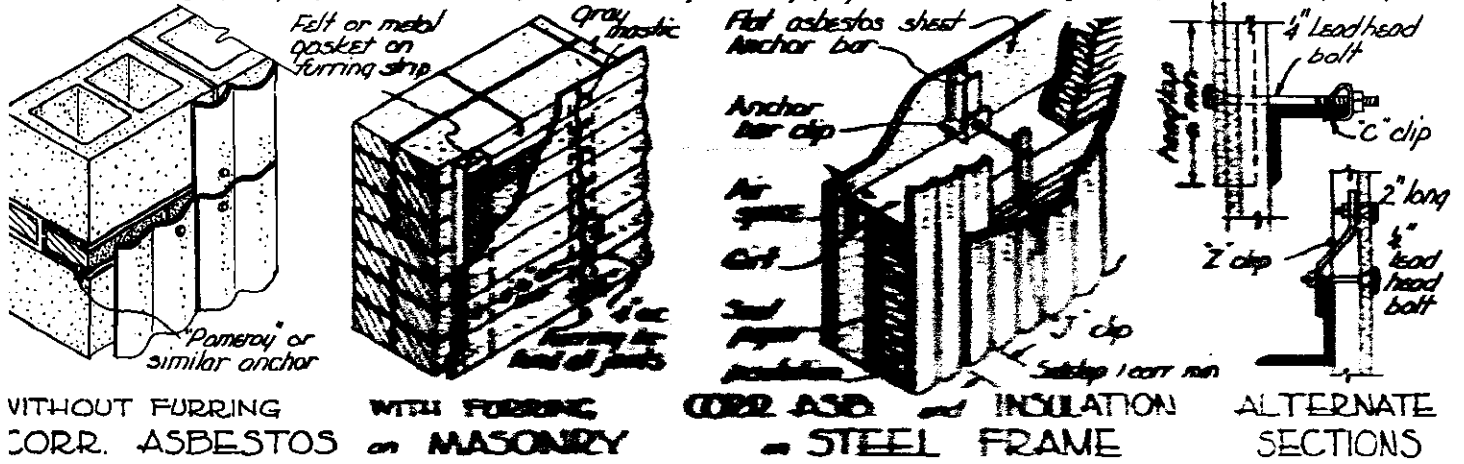


GABLE FLASHING

For roof details see "Flashing" Data. cited by Keasbey & Mattison Co., Johns-Manville, Philip Carey Mfg. Co., & Asbestone Corporation.

CORRUGATED ASBESTOS SIDING

For standard sizes, weights, etc., and roofing details, see preceding page. For additional flashing, see "Flashing" pages.



Checked by Keasbey & Mattison Co., Johns-Manville, Philip Carey Mfg. Co., and Asbestone Corporation